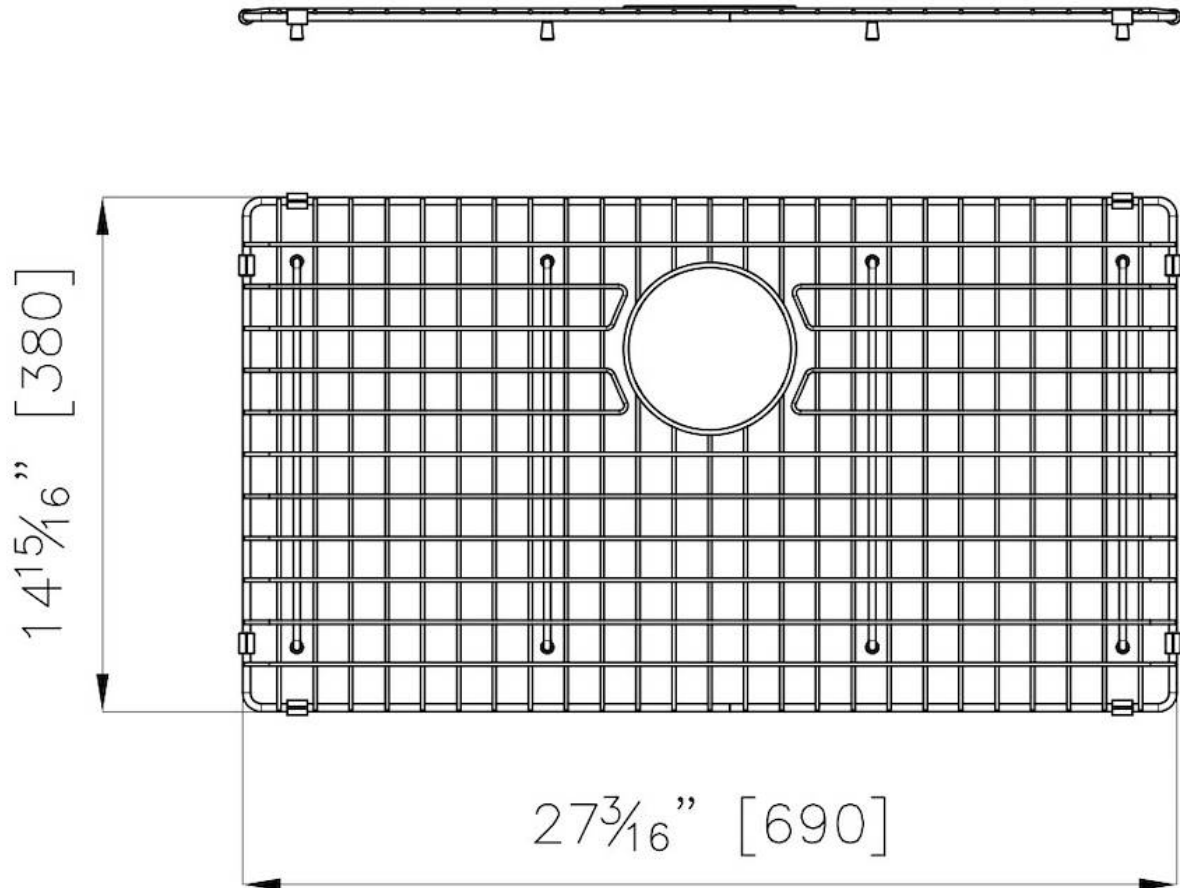




## TECHNICAL DATA



## RECOMMENDED PAIRINGS



**KE Sink 30" x 17" – U/M**  
2157 863